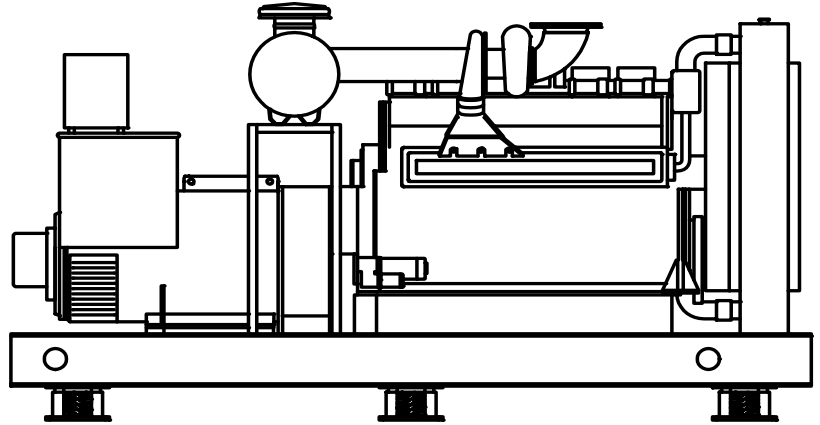


RATED OUTPUT

	60 HZ	50 HZ
Standby	350KW	425 KVA
Prime	320 KW	375 KVA

OVERALL DIMENSIONS

Length	140 Inches
Width	50 Inches
Height	72 Inches
Dry Weight	7500 Pounds



PERFORMANCE CHARACTERISTICS

Standard Rudox Generator Sets have high performance components to meet the toughest applications

-Precise Voltage Regulation

- ± ½% Steady State
- ± 1% from no load to full load

-Precise Frequency Control

The Bosch Electronic isochronous governor with 0% droop, no load full load, and ± ¼% steady state.

-Permanent Magnet Excitation

Provides excellent performance with heavy SCR loads. Fast recovery on sudden application of full load. (3-6 seconds typical)

-High Motor Starting Capacity

250% of capacity for 10 seconds
300% full load current available for 10 sec. during short circuit condition.

-Fast Starting

Load transferred in 5-10 seconds depending on starting accessories

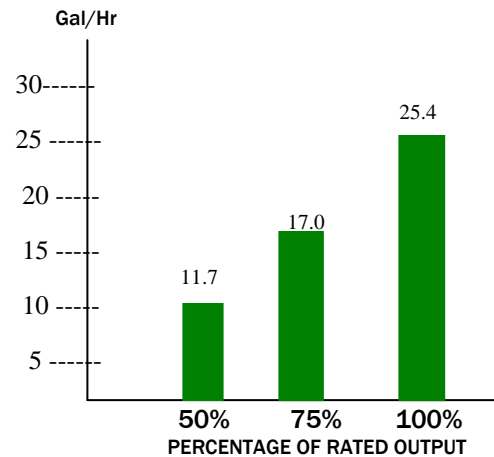
-Paralleling Options

Controls can be added for completely automatic multi-unit synchronization and load sharing

FUEL CONSUMPTION

The Iveco Engine is an efficient engine as demonstrated by its low fuel consumption.

**350 KW of Power for only
25 Gallon Per Hour**



Voltage Range

60 HZ	3 Wire	416 - 480
		208 - 240
50 HZ	4 Wire	240/416 - 277/480
		120/208 - 138/240
	3 Wire	346 - 415
	4 Wire	200/346 - 240/415

Note: Other voltage available on request

RUDOX

THE COMPLETE SUPPLIER OF QUALITY PRODUCTS SALES – RENTALS – PARTS - SERVICE

GENERATOR SET SPECIFICATIONS

RI-350

		STANDBY		PRIME	
		60 HZ	50 HZ	60 HZ	50 HZ
Engine Speed	(RPM)	1800	1500	1800	1500
Engine H. P.	(Gross HP)	533	518	485	472
Generator Output	(KW)	350	340	320	300
Generator Output	(KVA)	438	425	400	375
Cooling Air Flow	(CFM)	14217	11845	14217	11845
Combustion Air Flow	(CFM)	1165	1042	1150	940
Heat Rejection to Ambient	(BTU/MIN)	3605	3250	3288	2962

DIESEL ENGINE

Type	4 Cycle, Water-Cooled, Turbo Charged, Air to Air intercooler
Combustion Chamber	Direct Injection
Cylinder Arrangement	In Line 6 Cylinder
Displacement	787 Cubic Inch
Exhaust Flex Diameter	6 Inches (inside)
Muffler Diameter	8 Inches (inside)
Fuel Suction-Size; Max Flow (GPH)	3/4 Inch NPT; 85 GPH
Fuel Return-Size; Max Flow (GPH)	5/8 Inch NPT; 81GPH

STANDARD EQUIPMENT

- Iveco 13TE3 4 Cycle Diesel Engine
- Newage Stamford Generator (HCI434F) with 3 phase static voltage regulator (MX321) and permanent magnetic excitation rated per NEMA code
- Heavy duty structural steel subbase
- Bosch type electronic injection system with electronic governor
- Unit mounted Control Panel with:
Automatic Start/Stop Control; Displays for: Oil Pressure; Battery Voltage; Water Temp.; Engine Hours; Amp. and Volts Per Phase; Frequency
- Unit mounted radiator for 105 degree amb.
- 24 Volt electric start system with battery charging alternator
- Engine Safety Switches
Low Oil Pressure; High Water Temperature; Overspeed; Overcrank
- Residential Silencer with stainless steel flexible connection
- 24 Volt lead acid battery, rack and cables
- Flexible fuel lines

OPTIONAL EQUIPMENT

- Critical Silencer
- Heat Exchanger Cooling
- Outdoor Enclosures
- Day Tank
- Automatic Transfer Switch
- Mainline Circuit Breaker
- Remote Annunciator
- High Ambient radiator
- Load Bank
- Vibration Dampers
- Paralleling Controls
- Pre-Alarms
- Low Temperature Rise Generator
- Battery Charger
- Extreme Dust Air Cleaner
- Sound Attenuated Enclosure
- High Voltage Generator 4160 or 13800
- Remote Communication
- GENCON Digital Controller
- Others as Required